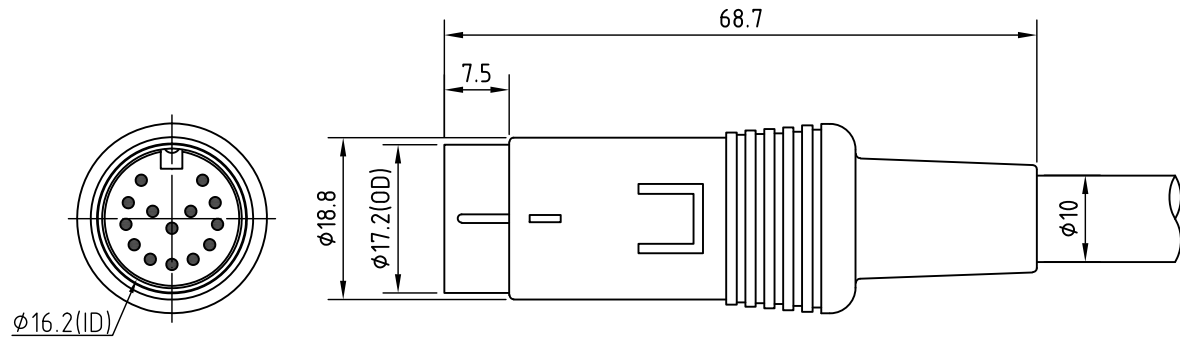


REV.	Description	Date
1	upgrade drawing	2012/11/15



Specification:

1. Contact resistance: 20mΩ max.
2. Dielectric strength: 250V AC / 1 minute
3. Insulation resistance: 50MΩ min. at 250V DC
4. Rating: 12V DC 1A max.

RoHS
TOLERANCE X±0.5 X.X±0.3

5	Plastic body	Nylon	
4	Cover B	Brass	Nickel plated
3	Cover A	Brass	Nickel plated
2	Terminal	Brass	Silver plated
1	Plastic core	Nylon	
Item	Description	Material	Treat & Remark

 **Unicable Co., Ltd. 國陽電業有限公司**
5F., No. 111-33, Sec. 4, San Ho Road, San Chung City, Taiwan, R.O.C.
<http://www.unicable.com.tw> TEL:+886-2-2286-2122 FAX:+886-2-2286-1010

DATE	2016/10/7	PART NO.	UT-A961-14P
DWN	GINA	REV.	1
CHK			
ITEM	Din Connector Field Assembled Cable	UNIT	MM